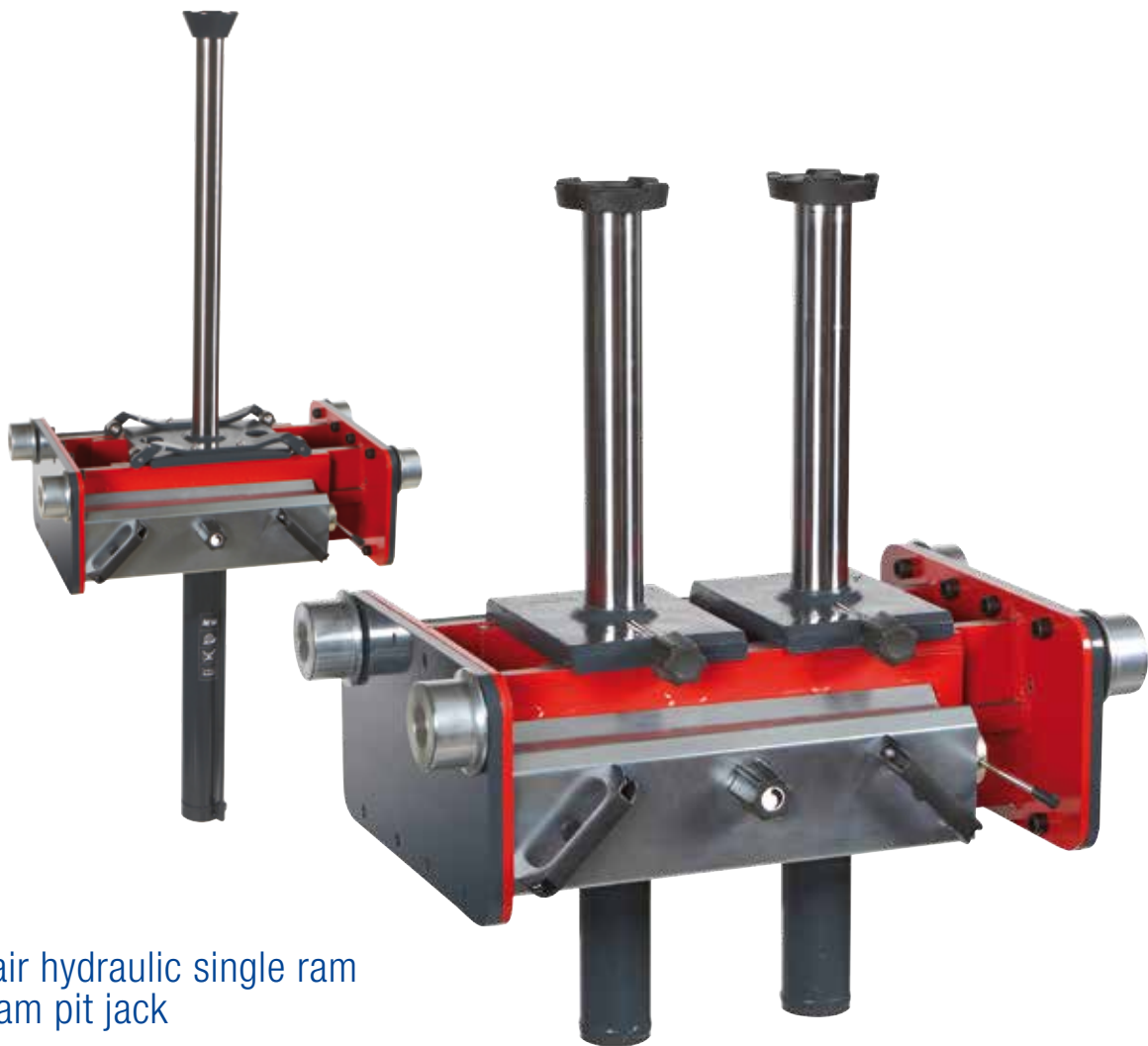


**PJ100-1**  
**PJ150-1**  
**PJ200-1****PJ100-2**  
**PJ150-2**  
**PJ200-2**

Capacity 10 / 15 / 20 t



### Standard air hydraulic single ram and twin ram pit jack

- 2 individually or single controlled rams offer safe and balanced lifting
- Rapid and precise air hydraulic unit with high speed ram travel
- Simple modern design with control panel at ergonomical working height
- Frame height is adjusted and set to the customers individual specifications

- Fitted with leaf spring support bearings for easy glide transversing ram
- Comprehensive option range: cross beam, gearbox saddle, support bridge etc.

When ordering fill out spec form

## Options



### Crossbeam adapter

Capacity 15,0 tons, adjustable 125-750 mm, only for twin ram versions



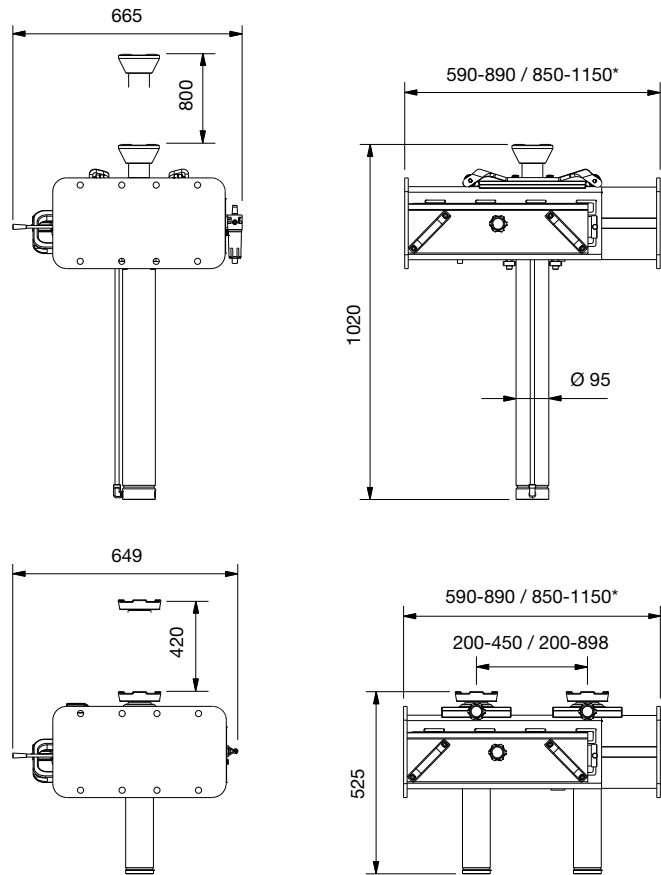
### Gearbox saddle

Capacity 1,0 tons, only for single ram versions



### U-saddle adapter

Large model, capacity 10 tons, width = 100 mm (1 per cylinder needed)



\* Dimensions excluding support arms

	PJ100-1	PJ150-1	PJ200-1	PJ100-2	PJ150-2	PJ200-2
Capacity	10 t	15 t	20 t	10 t	15 t	20 t
Stroke	800 mm	800 mm	800 mm	420 mm	420 mm	420 mm
Min. height	1020 mm	1020 mm	1020 mm	525 mm	525 mm	525 mm
Max. height	1820 mm	1820 mm	1820 mm	945 mm	945 mm	945 mm
Width range	590-1150	590-1150	590-1150	590-1150	590-1150	590-1150
Depth	665 mm	665 mm	665 mm	649 mm	649 mm	649 mm
Lifting points (distance)	n.a.	n.a.	n.a.	200-898 mm	200-898 mm	200-898 mm
Air supply	8 - 12 bar	8 - 12 bar	8 - 12 bar	8 - 12 bar	8 - 12 bar	8 - 12 bar
Air consumption	350 l/min	350 l/min	350 l/min	350 l/min	350 l/min	350 l/min
Weight	220 kg	220 kg	220 kg	220 kg	220 kg	220 kg

**stertil KONI**

 a member of the Stertil Group

Stertil B.V.  
P.O. Box 23  
9288 ZG Kootsterille  
The Netherlands  
Tel. +31(0)512 334444  
info@stertil.nl

www.stertilkoni.com



 Stertil-Koni

 Stertil